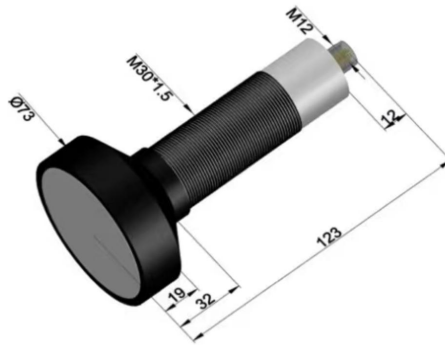


LoRaWan Water Level Sensor

AEFSHWUSFUB6 is a LoRaWan Ultrasound Water Level Sensor. It rides on ChinoINT LoRaWan technology to provide a complete LoRaWan solution. This wireless communication has been type approved by OFCA with HKCA1078, and FCC approved.

Sensor Head Specification



| Parameter | Specification |
|-----------------------|---|
| Measurement Range | 500 ~ 6000 mm |
| Blind Zone | 0 ~ 500 mm |
| Standard Target Plate | 300 × 300 mm |
| Angle | 25° |
| Repeatability | 0.10% |
| Operating Voltage | 10 ~ 30 VDC |
| Temperature Drift | 0.05% / °C (with built-in temperature compensation) |
| Linearity | < 1% |
| Resolution | 0.1% of range (minimum 0.5 mm) |
| Response Time | 195 ms |
| EMC Standard | GB/T17626.2-2006 / GB/T17626.4-2008 |
| Power Consumption | < 20 mA |
| Protection Circuit | Reverse polarity protection, transient overvoltage protection |
| Operating Temperature | -20°C ~ +80°C |
| Storage Temperature | -40°C ~ +80°C |
| Housing Material | Nickel-plated copper (customizable stainless steel enclosure) |
| Cable Length | 2 m |
| Protective Rating | IP65 |



LoRaWan Sensor Node Specifications

| Parameter | Specification |
|-------------------|--|
| Dimension | 83 x 58 x 33mm (Housing can be custom-made to fit application) |
| LoRaWan | 1.0.2 |
| Frequency Band | CN470/EU433/AS923 (Contact us for other frequencies) |
| Max Tx | +20 dBm |
| Rx sensitivity | -148 dBm |
| Antenna | Built-in |
| Sensor Protocol | RS485, UART, I2C, 4-20mA, 0-10V, GPIO x 5 |
| Battery | 3500 mAh |
| Battery Life | 10 years standby (30 min heartbeat, sensor loading excluded) |
| Low Battery Alert | Support |
| Certification | FCC, HKCA1078 |
| IP Rating | IP65 |

Installation

Please read the precautions before installation:

- Turn on the device before installation
- Installation can be done only by the professional construction personnel or authorized engineering representative
- Please use the professionally qualified installation tools to guarantee the safety of the construction personnel
- Installation position must be far away from the fire source, strong electric field, magnetic field etc., otherwise damage will be resulted
- ChinoINT reserves the interpretation of installation

The LoRaWan Sensor Node is designed to be light weight and be used with adhesive tape or screw mount.

In order to use adhesive tape, please follow the steps below:

- Use a dry towel to clean up on the surface to install
- Make the 3M tape adhere to the device bracket
- Press several times to make sure it gets fixed

For installation at different environment, please contact us for further information.

Ordering Information

AEFSHWUSFUB6



Warning

Assumes no liability for any damage resulting from the use of this product. CHINOTECH INTERNATIONAL LIMITED reserves the right to change this data sheet at any time without notice. The information furnished by ChinoINT is believed to be accurate and reliable. However, no responsibility is assumed by ChinoINT for its use, not for any infringements of patents or other rights of third parties resulting from its use.

Product Warranty and Customer Support

ChinoINT warrants all products free from defects in material and workmanship for a period of one year from the date of shipping. During the warranty period, we will, at our position, either repair or replace any product that proves to be defective. To report any defect, please inquiry sales@chinoint.com

Unauthorized opening and improper repairs on the device may result in substantial damage to equipment or endanger the user. The product described in this documentation may be operated only by personnel qualified. Qualified personnel are those who, based on their training and experience, are capable of identifying risks and avoiding potential hazards when working with these products. Always disconnect the power plug before you open the device.

Please have the model, serial number and a detailed problem description available when you call. If the problem concerns a particular reading, please have all meter readings available.

This warranty does not apply to defects resulting from unauthorized modification, misuse. If you install or exchange system expansion and damage your device, the warranty becomes void.

Product Warranty and Customer Support

We have reviewed the contents of this publication to ensure consistency with the hardware and software described. Since variance cannot be precluded entirely, we cannot guarantee full consistency. However, the information in this publication is reviewed regularly and any necessary corrections are included in subsequent editions.

