

超声波测距传感器

产品图片



产品参数

测量范围	500~6000mm
盲区	0~500mm
标准检测板	300*300mm
角度	25°
重复精度	0.1%
工作电压	10~30VDC
温度漂移	0.05%/°C(内置温度补偿)
线性度	<1%
分辨率	量程的 0.1%(0.5mm min)
响应时间	195ms
电磁兼容	GB/T17626.2-2006 / GB/T17626.4-2008
功耗	<20ma
保护电路	防反接保护、瞬时过压保护
工作温度	-20° C~+80° C
储藏温度	-40° C~+80° C
外壳材质	铜镀镍(可定制不锈钢外壳)
线长	2m

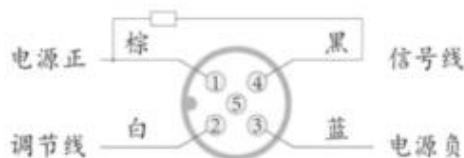
产品特性

- 内置温度补偿
- 检测范围可调
- 铜镀镍外壳可定制不锈钢外壳
- 防护等级 IP65
- 防反接保护、瞬时过压保护

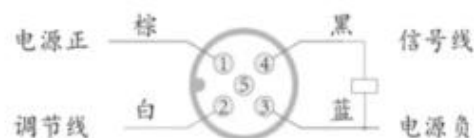
- 以上数据均在 25° C环境下测试。
- 最终结果在不同测试条件下会有一些影响，如：测试电路/环境/距离/被测物大小材质等。参考值仅供参考。

产品接线图

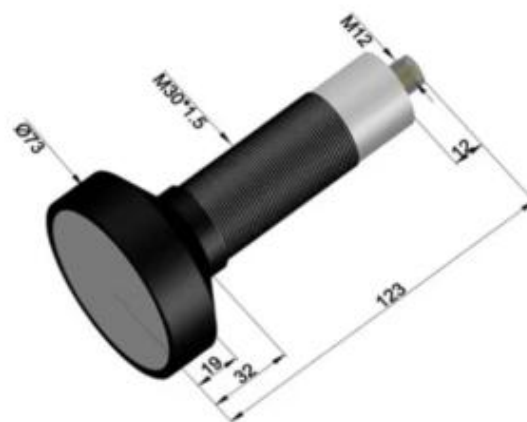
NPN



PNP



产品尺寸 (mm)



单位: mm
公差: ±2mm



Warning

Assumes no liability for any damage resulting from the use of this product. CHINOTECH INTERNATIONAL LIMITED reserves the right to change this data sheet at any time without notice. The information furnished by ChinoINT is believed to be accurate and reliable. However, no responsibility is assumed by ChinoINT for its use, not for any infringements of patents or other rights of third parties resulting from its use.

Product Warranty and Customer Support

ChinoINT warrants all products free from defects in material and workmanship for a period of one year from the date of shipping. During the warranty period, we will, at our position, either repair or replace any product that proves to be defective. To report any defect, please inquiry sales@chinoint.com

Unauthorized opening and improper repairs on the device may result in substantial damage to equipment or endanger the user. The product described in this documentation may be operated only by personnel qualified. Qualified personnel are those who, based on their training and experience, are capable of identifying risks and avoiding potential hazards when working with these products. Always disconnect the power plug before you open the device.

Please have the model, serial number and a detailed problem description available when you call. If the problem concerns a particular reading, please have all meter readings available.

This warranty does not apply to defects resulting from unauthorized modification, misuse. If you install or exchange system expansion and damage your device, the warranty becomes void.

Product Warranty and Customer Support

We have reviewed the contents of this publication to ensure consistency with the hardware and software described. Since variance cannot be precluded entirely, we cannot guarantee full consistency. However, the information in this publication is reviewed regularly and any necessary corrections are included in subsequent editions.

